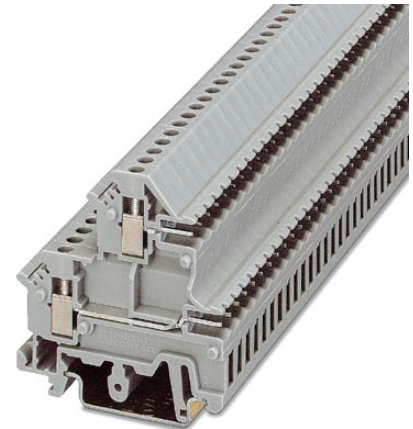


UKK 3-MSTB-5,08

Order No.: 2770888

<http://eshop.phoenixcontact.de/phoenix/treeViewClick.do?UID=2770888>

Modular terminal blocks with 2 horizontal plug entries, cross section:
0.2 - 2.5 mm, AWG: 30 - 12, width: 5.1 mm, color: gray

Commercial data

EAN	4017918068110
Pack	50 Pcs.
Customs tariff	85369010
Weight/Piece	0.00877 KG
Catalog page information	Page 324 (CL-2005)

Product notes

WEEE/RoHS-compliant since:
01/01/2003



<http://www.download.phoenixcontact.com>
Please note that the data given here has been taken from the online catalog. For comprehensive information and data, please refer to the user documentation. The General Terms and Conditions of Use apply to Internet downloads.

Technical data**General**

Number of levels	2
Number of connections	4
Color	gray
Insulating material	PA

Inflammability class acc. to UL 94	V2
Technical data	
Maximum load current	12 A (with 4 mm ² conductor cross section)
Rated surge voltage	4 kV
Pollution degree	3
Surge voltage category	III
Insulating material group	I
Nominal current I _N	12 A
Nominal voltage U _N	250 V
Connection data	
Connection labeling	1st and 2nd level connection left
Conductor cross section solid min.	0.2 mm ²
Conductor cross section solid max.	4 mm ²
Conductor cross section stranded min.	0.2 mm ²
Conductor cross section stranded max.	2.5 mm ²
Conductor cross section AWG/kcmil min.	24
Conductor cross section AWG/kcmil max	12
Conductor cross section stranded, with ferrule without plastic sleeve min.	0.25 mm ²
Conductor cross section stranded, with ferrule without plastic sleeve max.	2.5 mm ²
Conductor cross section stranded, with ferrule with plastic sleeve min.	0.25 mm ²
Conductor cross section stranded, with ferrule with plastic sleeve max.	1.5 mm ²
2 conductors with same cross section, solid min.	0.2 mm ²
2 conductors with same cross section, solid max.	1.5 mm ²
2 conductors with same cross section, stranded min.	0.2 mm ²
2 conductors with same cross section, stranded max.	1 mm ²
2 conductors with same cross section, stranded, ferrules without plastic sleeve, min.	0.25 mm ²
2 conductors with same cross section, stranded, ferrules without plastic sleeve, max.	0.5 mm ²
2 conductors with same cross section, stranded, TWIN ferrules with plastic sleeve, min.	0.5 mm ²

2 conductors with same cross section, stranded, TWIN ferrules with plastic sleeve, max.	1 mm ²
Type of connection	Screw connection
Stripping length	8 mm
Internal cylindrical gage	A3
Screw thread	M 3
Tightening torque, min	0.5 Nm
Tightening torque max	0.6 Nm

Certificates / Approvals

Approval logo



CSA

Nominal voltage U_N	300 V
Nominal current I_N	20 A
AWG/kcmil	28-12

CUL

Nominal voltage U_N	300 V
Nominal current I_N	10 A
AWG/kcmil	30-12

UL

Nominal voltage U_N	300 V
Nominal current I_N	10 A
AWG/kcmil	30-12
Certification	CB, CSA, CUL, GOST, UL, VDE-PZI

Accessories

Item	Designation	Description
Assembly		
3022218	CLIPFIX 35	Snap-on end bracket, for 35 mm NS 35/7.5 or NS 35/15 mounting rail, can be fitted with Zack strip ZB 8 and ZB 8/27, terminal strip marker KLM 2 and KLM, width: 9.5 mm, color: gray

2770891	D-UKK 3-MSTB-5,08	Cover, width: 2.5 mm, color: Gray, without pins
2770914	D-UKK 3-MSTB-5,08 L	Cover, width: 2.5 mm, color: Gray, with pins
2770613	DG-UKK 3-MSTB-5,08	Spacer cover, width: 2.5 mm, color: Gray
2770600	DP-UKK 3-MSTB-5,08	Spacer plate, width: 2.5 mm, color: Gray
1201413	E/UK 1	End brackets, for supporting the ends of double-level and three-level terminal blocks, width: 10 mm, color: gray
1201028	NS 32 AL UNPERF 2000MM	G rail 32 mm (NS 32)
1201280	NS 32 CU/120QMM UNPERF 2000MM	G-profile DIN rail, deep-drawn, material: Copper, unperforated, height 15 mm, width 32 mm, length 2 m
1201358	NS 32 CU/35QMM UNPERF 2000MM	G-profile DIN rail, material: Copper, unperforated, height 15 mm, width 32 mm, length 2 m
1201002	NS 32 PERF 2000MM	G-profile DIN rail, material: Steel, perforated, height 15 mm, width 32 mm, length 2 m
1201015	NS 32 UNPERF 2000MM	G-profile DIN rail, material: Steel, unperforated, height 15 mm, width 32 mm, length 2 m
0801762	NS 35/ 7,5 CU UNPERF 2000MM	DIN rail, material: Copper, unperforated, height 7.5 mm, width 35 mm, length: 2 m
0801733	NS 35/ 7,5 PERF 2000MM	DIN rail, material: Steel, perforated, height 7.5 mm, width 35 mm, length: 2 m
0801681	NS 35/ 7,5 UNPERF 2000MM	DIN rail, material: Steel, unperforated, height 7.5 mm, width 35 mm, length: 2 m
1201756	NS 35/15 AL UNPERF 2000MM	DIN rail, deep-drawn, high profile, unperforated, 1.5 mm thick, material: Aluminum, height 15 mm, width 35 mm, length 2 m
1201895	NS 35/15 CU UNPERF 2000MM	DIN rail, material: Copper, unperforated, 1.5 mm thick, height 15 mm, width 35 mm, length: 2 m
1201730	NS 35/15 PERF 2000MM	DIN rail, material: Steel, perforated, height 15 mm, width 35 mm, length: 2 m
1201714	NS 35/15 UNPERF 2000MM	DIN rail, material: Steel, unperforated, height 15 mm, width 35 mm, length: 2 m
1201798	NS 35/15-2,3 UNPERF 2000MM	DIN rail, material: Steel, unperforated, 2.3 mm thick, height 15 mm, width 35 mm, length: 2 m

Bridges

2303145	EBL 2- 5	Insertion bridge, 2-pos., fully insulated
2303158	EBL 3- 5	Insertion bridge, 3-pos., fully insulated

Marking

1007219	SBS 5:UNBEDRUCKT	Marker cards for modular terminal blocks, color: white
0809793	ZB 5,08:UNBEDRUCKT	Zack strip, unprinted: 10-section, for individual labeling with M-PEN, ZB-T or CMS system, sufficient for 100 terminal blocks per pack

Tools

1205053	SZS 0,6X3,5	Screwdriver, bladed, matches all screw terminal blocks up to 4.0 mm ² connection cross section, blade: 0.6 x 3.5 mm, without VDE approval
---------	-------------	--

Additional products

Item	Designation	Description
General		
1873058	FKC 2,5/ 2-ST-5,08	Plug component, nominal current: 12 A, rated voltage: 250 V, pitch: 5.08 mm, no. of positions: 2, type of connection: Spring-cage connection
1873207	FKC 2,5/ 2-STF-5,08	Plug with screw flange, nominal current: 12 A, rated voltage: 250 V, pitch: 5.08 mm, no. of positions: 2, type of connection: Spring-cage connection
1873061	FKC 2,5/ 3-ST-5,08	Plug component, nominal current: 12 A, rated voltage: 250 V, pitch: 5.08 mm, no. of positions: 3, type of connection: Spring-cage connection
1873074	FKC 2,5/ 4-ST-5,08	Plug component, nominal current: 12 A, rated voltage: 250 V, pitch: 5.08 mm, no. of positions: 4, type of connection: Spring-cage connection
1873087	FKC 2,5/ 5-ST-5,08	Plug component, nominal current: 12 A, rated voltage: 250 V, pitch: 5.08 mm, no. of positions: 5, type of connection: Spring-cage connection
1873236	FKC 2,5/ 5-STF-5,08	Plug with screw flange, nominal current: 12 A, rated voltage: 250 V, pitch: 5.08 mm, no. of positions: 5, type of connection: Spring-cage connection
1873090	FKC 2,5/ 6-ST-5,08	Plug component, nominal current: 12 A, rated voltage: 250 V, pitch: 5.08 mm, no. of positions: 6, type of connection: Spring-cage connection
1873100	FKC 2,5/ 7-ST-5,08	Plug component, nominal current: 12 A, rated voltage: 250 V, pitch: 5.08 mm, no. of positions: 7, type of connection: Spring-cage connection
1873113	FKC 2,5/ 8-ST-5,08	Plug component, nominal current: 12 A, rated voltage: 250 V, pitch: 5.08 mm, no. of positions: 8, type of connection: Spring-cage connection
1873265	FKC 2,5/ 8-STF-5,08	Plug with screw flange, nominal current: 12 A, rated voltage: 250 V, pitch: 5.08 mm, no. of positions: 8, type of connection: Spring-cage connection
1873126	FKC 2,5/ 9-ST-5,08	Plug component, nominal current: 12 A, rated voltage: 250 V, pitch: 5.08 mm, no. of positions: 9, type of connection: Spring-cage connection
1873278	FKC 2,5/ 9-STF-5,08	Plug with screw flange, nominal current: 12 A, rated voltage: 250 V, pitch: 5.08 mm, no. of positions: 9, type of connection: Spring-cage connection

1873139	FKC 2,5/10-ST-5,08	Plug component, nominal current: 12 A, rated voltage: 250 V, pitch: 5.08 mm, no. of positions: 10, type of connection: Spring-cage connection
1873142	FKC 2,5/11-ST-5,08	Plug component, nominal current: 12 A, rated voltage: 250 V, pitch: 5.08 mm, no. of positions: 11, type of connection: Spring-cage connection
1873155	FKC 2,5/12-ST-5,08	Plug component, nominal current: 12 A, rated voltage: 250 V, pitch: 5.08 mm, no. of positions: 12, type of connection: Spring-cage connection
1873168	FKC 2,5/13-ST-5,08	Plug component, nominal current: 12 A, rated voltage: 250 V, pitch: 5.08 mm, no. of positions: 13, type of connection: Spring-cage connection
1873171	FKC 2,5/14-ST-5,08	Plug component, nominal current: 12 A, rated voltage: 250 V, pitch: 5.08 mm, no. of positions: 14, type of connection: Spring-cage connection
1873320	FKC 2,5/14-STF-5,08	Plug with screw flange, nominal current: 12 A, rated voltage: 250 V, pitch: 5.08 mm, no. of positions: 14, type of connection: Spring-cage connection
1873184	FKC 2,5/15-ST-5,08	Plug component, nominal current: 12 A, rated voltage: 250 V, pitch: 5.08 mm, no. of positions: 15, type of connection: Spring-cage connection
1873197	FKC 2,5/16-ST-5,08	Plug component, nominal current: 12 A, rated voltage: 250 V, pitch: 5.08 mm, no. of positions: 16, type of connection: Spring-cage connection
1777280	FRONT-MSTB 2,5/ 2-ST-5,08	Plug component, nominal current: 12 A, rated voltage: 250 V, pitch: 5.08 mm, no. of positions: 2, type of connection: Screw connection
1777808	FRONT-MSTB 2,5/ 2-STF-5,08	Plug with screw flange, nominal current: 12 A, rated voltage: 250 V, pitch: 5,08 mm, no. of positions: 2, type of connection: Screw connection
1777293	FRONT-MSTB 2,5/ 3-ST-5,08	Plug component, nominal current: 12 A, rated voltage: 250 V, pitch: 5.08 mm, no. of positions: 3, type of connection: Screw connection
1777811	FRONT-MSTB 2,5/ 3-STF-5,08	Plug with screw flange, nominal current: 12 A, rated voltage: 250 V, pitch: 5,08 mm, no. of positions: 3, type of connection: Screw connection
1777303	FRONT-MSTB 2,5/ 4-ST-5,08	Plug component, nominal current: 12 A, rated voltage: 250 V, pitch: 5.08 mm, no. of positions: 4, type of connection: Screw connection
1777824	FRONT-MSTB 2,5/ 4-STF-5,08	Plug with screw flange, nominal current: 12 A, rated voltage: 250 V, pitch: 5,08 mm, no. of positions: 4, type of connection: Screw connection
1777316	FRONT-MSTB 2,5/ 5-ST-5,08	Plug, nominal current: 12 A, rated voltage: 250 V, pitch: 5,08 mm, no. of positions: 5, type of connection: Screw connection
1777837	FRONT-MSTB 2,5/ 5-STF-5,08	Plug with screw flange, nominal current: 12 A, rated voltage: 250 V, pitch: 5,08 mm, no. of positions: 5, type of connection: Screw connection

1777329	FRONT-MSTB 2,5/ 6-ST-5,08	Plug component, nominal current: 12 A, rated voltage: 250 V, pitch: 5.08 mm, no. of positions: 6, type of connection: Screw connection
1777840	FRONT-MSTB 2,5/ 6-STF-5,08	Plug with screw flange, nominal current: 12 A, rated voltage: 250 V, pitch: 5,08 mm, no. of positions: 6, type of connection: Screw connection
1777853	FRONT-MSTB 2,5/ 7-STF-5,08	Plug with screw flange, nominal current: 12 A, rated voltage: 250 V, pitch: 5,08 mm, no. of positions: 7, type of connection: Screw connection
1777345	FRONT-MSTB 2,5/ 8-ST-5,08	Plug component, nominal current: 12 A, rated voltage: 250 V, pitch: 5.08 mm, no. of positions: 8, type of connection: Screw connection
1777798	FRONT-MSTB 2,5/ 8-STF-5,08	Plug with screw flange, nominal current: 12 A, rated voltage: 250 V, pitch: 5,08 mm, no. of positions: 8, type of connection: Screw connection
1777358	FRONT-MSTB 2,5/ 9-ST-5,08	Plug component, nominal current: 12 A, rated voltage: 250 V, pitch: 5.08 mm, no. of positions: 9, type of connection: Screw connection
1777866	FRONT-MSTB 2,5/ 9-STF-5,08	Plug with screw flange, nominal current: 12 A, rated voltage: 250 V, pitch: 5,08 mm, no. of positions: 9, type of connection: Screw connection
1777361	FRONT-MSTB 2,5/10-ST-5,08	Plug component, nominal current: 12 A, rated voltage: 250 V, pitch: 5.08 mm, no. of positions: 10, type of connection: Screw connection
1777879	FRONT-MSTB 2,5/10-STF-5,08	Plug with screw flange, nominal current: 12 A, rated voltage: 250 V, pitch: 5.08 mm, number of positions: 10, connection method: screw connection
1777374	FRONT-MSTB 2,5/11-ST-5,08	Plug component, nominal current: 12 A, rated voltage: 250 V, pitch: 5.08 mm, no. of positions: 11, type of connection: Screw connection
1777882	FRONT-MSTB 2,5/11-STF-5,08	Plug with screw flange, nominal current: 12 A, rated voltage: 250 V, pitch: 5.08 mm, number of positions: 11, connection method: screw connection
1777387	FRONT-MSTB 2,5/12-ST-5,08	Plug component, nominal current: 12 A, rated voltage: 250 V, pitch: 5.08 mm, no. of positions: 12, type of connection: Screw connection
1777895	FRONT-MSTB 2,5/12-STF-5,08	Plug with screw flange, nominal current: 12 A, rated voltage: 250 V, pitch: 5,08 mm, no. of positions: 12, type of connection: Screw connection
1777390	FRONT-MSTB 2,5/13-ST-5,08	Plug component, nominal current: 12 A, rated voltage: 250 V, pitch: 5.08 mm, no. of positions: 13, type of connection: Screw connection
1777905	FRONT-MSTB 2,5/13-STF-5,08	Plug with screw flange, nominal current: 12 A, rated voltage: 250 V, pitch: 5.08 mm, number of positions: 13, connection method: screw connection
1777400	FRONT-MSTB 2,5/14-ST-5,08	Plug component, nominal current: 12 A, rated voltage: 250 V, pitch: 5.08 mm, no. of positions: 14, type of connection: Screw connection

1777918	FRONT-MSTB 2,5/14-STF-5,08	Plug with screw flange, nominal current: 12 A, rated voltage: 250 V, pitch: 5.08 mm, number of positions: 14, connection method: screw connection
1777413	FRONT-MSTB 2,5/15-ST-5,08	Plug component, nominal current: 12 A, rated voltage: 250 V, pitch: 5.08 mm, no. of positions: 15, type of connection: Screw connection
1777921	FRONT-MSTB 2,5/15-STF-5,08	Plug with screw flange, nominal current: 12 A, rated voltage: 250 V, pitch: 5.08 mm, number of positions: 15, connection method: screw connection
1777426	FRONT-MSTB 2,5/16-ST-5,08	Plug component, nominal current: 12 A, rated voltage: 250 V, pitch: 5.08 mm, no. of positions: 16, type of connection: Screw connection
1777934	FRONT-MSTB 2,5/16-STF-5,08	Plug with screw flange, nominal current: 12 A, rated voltage: 250 V, pitch: 5.08 mm, number of positions: 16, connection method: screw connection
1777439	FRONT-MSTB 2,5/17-ST-5,08	Plug component, nominal current: 12 A, rated voltage: 250 V, pitch: 5.08 mm, no. of positions: 17, type of connection: Screw connection
1777947	FRONT-MSTB 2,5/17-STF-5,08	Plug with screw flange, nominal current: 12 A, rated voltage: 250 V, pitch: 5.08 mm, number of positions: 17, connection method: screw connection
1777442	FRONT-MSTB 2,5/18-ST-5,08	Plug component, nominal current: 12 A, rated voltage: 250 V, pitch: 5.08 mm, no. of positions: 18, type of connection: Screw connection
1777950	FRONT-MSTB 2,5/18-STF-5,08	Plug with screw flange, nominal current: 12 A, rated voltage: 250 V, pitch: 5.08 mm, number of positions: 18, connection method: screw connection
1777455	FRONT-MSTB 2,5/19-ST-5,08	Plug component, nominal current: 12 A, rated voltage: 250 V, pitch: 5.08 mm, no. of positions: 19, type of connection: Screw connection
1777963	FRONT-MSTB 2,5/19-STF-5,08	Plug with screw flange, nominal current: 12 A, rated voltage: 250 V, pitch: 5.08 mm, number of positions: 19, connection method: screw connection
1777468	FRONT-MSTB 2,5/20-ST-5,08	Plug component, nominal current: 12 A, rated voltage: 250 V, pitch: 5.08 mm, no. of positions: 20, type of connection: Screw connection
1777976	FRONT-MSTB 2,5/20-STF-5,08	Plug with screw flange, nominal current: 12 A, rated voltage: 250 V, pitch: 5.08 mm, number of positions: 20, connection method: screw connection
1777471	FRONT-MSTB 2,5/21-ST-5,08	Plug component, nominal current: 12 A, rated voltage: 250 V, pitch: 5.08 mm, no. of positions: 21, type of connection: Screw connection
1777484	FRONT-MSTB 2,5/22-ST-5,08	Plug component, nominal current: 12 A, rated voltage: 250 V, pitch: 5.08 mm, no. of positions: 22, type of connection: Screw connection
1777497	FRONT-MSTB 2,5/23-ST-5,08	Plug component, nominal current: 12 A, rated voltage: 250 V, pitch: 5.08 mm, no. of positions: 23, type of connection: Screw connection

1777507	FRONT-MSTB 2,5/24-ST-5,08	Plug component, nominal current: 12 A, rated voltage: 250 V, pitch: 5.08 mm, no. of positions: 24, type of connection: Screw connection
1757019	MSTB 2,5/ 2-ST-5,08	Plug component, nominal current: 12 A, rated voltage: 250 V, pitch: 5.08 mm, no. of positions: 2, type of connection: Screw connection
1777989	MSTB 2,5/ 2-STF-5,08	Plug with screw flange, nominal current: 12 A, rated voltage: 250 V, pitch: 5,08 mm, no. of positions: 2, type of connection: Screw connection
1777992	MSTB 2,5/ 3-STF-5,08	Plug component, nominal current: 12 A, rated voltage: 250 V, pitch: 5.08 mm, no. of positions: 3, type of connection: Screw connection
1778001	MSTB 2,5/ 4-STF-5,08	Plug component, nominal current: 12 A, rated voltage: 250 V, pitch: 5.08 mm, no. of positions: 4, type of connection: Screw connection
1776155	MSTB 2,5/ 4-STZ-5,08	Plug component, nominal current: 12 A, rated voltage: 250 V, pitch: 5.08 mm, no. of positions: 4, type of connection: Screw connection
1778014	MSTB 2,5/ 5-STF-5,08	Plug with T-shape and screw flange, nominal current: 12 A, rated voltage: 250 V, pitch: 5.08 mm, no. of positions: 5, type of connection: screw connection
1776142	MSTB 2,5/ 5-STZ-5,08	Plug, nominal current: 12 A, rated voltage: 250 V, pitch: 5,08 mm, no. of positions: 5, type of connection: Screw connection
1778027	MSTB 2,5/ 6-STF-5,08	Plug component, nominal current: 12 A, rated voltage: 250 V, pitch: 5.08 mm, no. of positions: 6, type of connection: Screw connection
1776126	MSTB 2,5/ 6-STZ-5,08	Plug component, nominal current: 12 A, rated voltage: 250 V, pitch: 5.08 mm, no. of positions: 6, type of connection: Screw connection
1778030	MSTB 2,5/ 7-STF-5,08	Plug component, nominal current: 12 A, rated voltage: 250 V, pitch: 5.08 mm, no. of positions: 7, type of connection: Screw connection
1776113	MSTB 2,5/ 7-STZ-5,08	Plug component, nominal current: 12 A, rated voltage: 250 V, pitch: 5.08 mm, no. of positions: 7, type of connection: Screw connection
1778043	MSTB 2,5/ 8-STF-5,08	Plug component, nominal current: 12 A, rated voltage: 250 V, pitch: 5.08 mm, no. of positions: 8, type of connection: Screw connection
1757080	MSTB 2,5/ 9-ST-5,08	Plug component, nominal current: 12 A, rated voltage: 250 V, pitch: 5.08 mm, no. of positions: 9, type of connection: Screw connection
1778056	MSTB 2,5/ 9-STF-5,08	Plug component, nominal current: 12 A, rated voltage: 250 V, pitch: 5.08 mm, no. of positions: 9, type of connection: Screw connection
1764316	MSTB 2,5/ 9-STZ-5,08	Plug component, nominal current: 12 A, rated voltage: 250 V, pitch: 5.08 mm, no. of positions: 9, type of connection: Screw connection

1757093	MSTB 2,5/10-ST-5,08	Plug component, nominal current: 12 A, rated voltage: 250 V, pitch: 5.08 mm, no. of positions: 10, type of connection: Screw connection
1778069	MSTB 2,5/10-STF-5,08	Plug component, nominal current: 12 A, rated voltage: 250 V, pitch: 5.08 mm, no. of positions: 10, type of connection: Screw connection
1757103	MSTB 2,5/11-ST-5,08	Plug component, nominal current: 12 A, rated voltage: 250 V, pitch: 5.08 mm, no. of positions: 11, type of connection: Screw connection
1778072	MSTB 2,5/11-STF-5,08	Plug component, nominal current: 12 A, rated voltage: 250 V, pitch: 5.08 mm, no. of positions: 11, type of connection: Screw connection
1778085	MSTB 2,5/12-STF-5,08	Plug component, nominal current: 12 A, rated voltage: 250 V, pitch: 5.08 mm, no. of positions: 12, type of connection: Screw connection
1764280	MSTB 2,5/12-STZ-5,08	Plug component, nominal current: 12 A, rated voltage: 250 V, pitch: 5.08 mm, no. of positions: 12, type of connection: Screw connection
1778098	MSTB 2,5/13-STF-5,08	Plug component, nominal current: 12 A, rated voltage: 250 V, pitch: 5.08 mm, no. of positions: 13, type of connection: Screw connection
1778108	MSTB 2,5/14-STF-5,08	Plug component, nominal current: 12 A, rated voltage: 250 V, pitch: 5.08 mm, no. of positions: 14, type of connection: Screw connection
1757145	MSTB 2,5/15-ST-5,08	Plug component, nominal current: 12 A, rated voltage: 250 V, pitch: 5.08 mm, no. of positions: 15, type of connection: Screw connection
1778111	MSTB 2,5/15-STF-5,08	Plug component, nominal current: 12 A, rated voltage: 250 V, pitch: 5.08 mm, no. of positions: 15, type of connection: Screw connection
1757158	MSTB 2,5/16-ST-5,08	Plug component, nominal current: 12 A, rated voltage: 250 V, pitch: 5.08 mm, no. of positions: 16, type of connection: Screw connection
1778124	MSTB 2,5/16-STF-5,08	Plug component, nominal current: 12 A, rated voltage: 250 V, pitch: 5.08 mm, no. of positions: 16, type of connection: Screw connection
1764248	MSTB 2,5/16-STZ-5,08	Plug component, nominal current: 12 A, rated voltage: 250 V, pitch: 5.08 mm, no. of positions: 16, type of connection: Screw connection
1778137	MSTB 2,5/17-STF-5,08	Plug component, nominal current: 12 A, rated voltage: 250 V, pitch: 5.08 mm, no. of positions: 17, type of connection: Screw connection
1757174	MSTB 2,5/18-ST-5,08	Plug component, nominal current: 12 A, rated voltage: 250 V, pitch: 5.08 mm, no. of positions: 18, type of connection: Screw connection
1778140	MSTB 2,5/18-STF-5,08	Plug component, nominal current: 12 A, rated voltage: 250 V, pitch: 5.08 mm, no. of positions: 18, type of connection: Screw connection

1778153	MSTB 2,5/19-STF-5,08	Plug component, nominal current: 12 A, rated voltage: 250 V, pitch: 5.08 mm, no. of positions: 19, type of connection: Screw connection
1757190	MSTB 2,5/20-ST-5,08	Plug component, nominal current: 12 A, rated voltage: 250 V, pitch: 5.08 mm, no. of positions: 20, type of connection: Screw connection
1778166	MSTB 2,5/20-STF-5,08	Plug component, nominal current: 12 A, rated voltage: 250 V, pitch: 5.08 mm, no. of positions: 20, type of connection: Screw connection
1808816	MSTBC 2,5/ 2-ST-5,08	Plug component, nominal current: 12 A, rated voltage: 320 V, pitch: 5.08 mm, no. of positions: 2, type of connection: Crimp connection
1809501	MSTBC 2,5/ 2-STZ-5,08	Plug component, nominal current: 12 A, rated voltage: 320 V, pitch: 5.08 mm, no. of positions: 2, type of connection: Crimp connection
1808829	MSTBC 2,5/ 3-ST-5,08	Plug component, nominal current: 12 A, rated voltage: 320 V, pitch: 5.08 mm, no. of positions: 3, type of connection: Crimp connection
1809514	MSTBC 2,5/ 3-STZ-5,08	Plug component, nominal current: 12 A, rated voltage: 320 V, pitch: 5.08 mm, no. of positions: 3, type of connection: Crimp connection
1808832	MSTBC 2,5/ 4-ST-5,08	Plug component, nominal current: 12 A, rated voltage: 320 V, pitch: 5.08 mm, no. of positions: 4, type of connection: Crimp connection
1809527	MSTBC 2,5/ 4-STZ-5,08	Plug component, nominal current: 12 A, rated voltage: 320 V, pitch: 5.08 mm, no. of positions: 4, type of connection: Crimp connection
1808845	MSTBC 2,5/ 5-ST-5,08	Plug component, nominal current: 12 A, rated voltage: 320 V, pitch: 5.08 mm, no. of positions: 5, type of connection: Crimp connection
1809530	MSTBC 2,5/ 5-STZ-5,08	Plug component, nominal current: 12 A, rated voltage: 320 V, pitch: 5.08 mm, no. of positions: 5, type of connection: Crimp connection
1808858	MSTBC 2,5/ 6-ST-5,08	Plug component, nominal current: 12 A, rated voltage: 320 V, pitch: 5.08 mm, no. of positions: 6, type of connection: Crimp connection
1809543	MSTBC 2,5/ 6-STZ-5,08	Plug component, nominal current: 12 A, rated voltage: 320 V, pitch: 5.08 mm, no. of positions: 6, type of connection: Crimp connection
1809776	MSTBC 2,5/ 6-STZF-5,08	Plug component, nominal current: 12 A, rated voltage: 320 V, pitch: 5.08 mm, no. of positions: 6, type of connection: Crimp connection
1808861	MSTBC 2,5/ 7-ST-5,08	Plug component, nominal current: 12 A, rated voltage: 320 V, pitch: 5.08 mm, no. of positions: 7, type of connection: Crimp connection
1809556	MSTBC 2,5/ 7-STZ-5,08	Plug component, nominal current: 12 A, rated voltage: 320 V, pitch: 5.08 mm, no. of positions: 7, type of connection: Crimp connection

1808874	MSTBC 2,5/ 8-ST-5,08	Plug component, nominal current: 12 A, rated voltage: 320 V, pitch: 5.08 mm, no. of positions: 8, type of connection: Crimp connection
1809569	MSTBC 2,5/ 8-STZ-5,08	Plug component, nominal current: 12 A, rated voltage: 320 V, pitch: 5.08 mm, no. of positions: 8, type of connection: Crimp connection
1809792	MSTBC 2,5/ 8-STZF-5,08	Plug component, nominal current: 12 A, rated voltage: 320 V, pitch: 5.08 mm, no. of positions: 8, type of connection: Crimp connection
1808887	MSTBC 2,5/ 9-ST-5,08	Plug component, nominal current: 12 A, rated voltage: 320 V, pitch: 5.08 mm, no. of positions: 9, type of connection: Crimp connection
1809572	MSTBC 2,5/ 9-STZ-5,08	Plug component, nominal current: 12 A, rated voltage: 320 V, pitch: 5.08 mm, no. of positions: 9, type of connection: Crimp connection
1809802	MSTBC 2,5/ 9-STZF-5,08	Plug component, nominal current: 12 A, rated voltage: 320 V, pitch: 5.08 mm, no. of positions: 9, type of connection: Crimp connection
1808890	MSTBC 2,5/10-ST-5,08	Plug component, nominal current: 12 A, rated voltage: 320 V, pitch: 5.08 mm, no. of positions: 10, type of connection: Crimp connection
1809585	MSTBC 2,5/10-STZ-5,08	Plug component, nominal current: 12 A, rated voltage: 320 V, pitch: 5.08 mm, no. of positions: 10, type of connection: Crimp connection
1808900	MSTBC 2,5/11-ST-5,08	Plug component, nominal current: 12 A, rated voltage: 320 V, pitch: 5.08 mm, no. of positions: 11, type of connection: Crimp connection
1809598	MSTBC 2,5/11-STZ-5,08	Plug component, nominal current: 12 A, rated voltage: 320 V, pitch: 5.08 mm, no. of positions: 11, type of connection: Crimp connection
1808913	MSTBC 2,5/12-ST-5,08	Plug component, nominal current: 12 A, rated voltage: 320 V, pitch: 5.08 mm, no. of positions: 12, type of connection: Crimp connection
1809608	MSTBC 2,5/12-STZ-5,08	Plug component, nominal current: 12 A, rated voltage: 320 V, pitch: 5.08 mm, no. of positions: 12, type of connection: Crimp connection
1808926	MSTBC 2,5/13-ST-5,08	Plug component, nominal current: 12 A, rated voltage: 320 V, pitch: 5.08 mm, no. of positions: 13, type of connection: Crimp connection
1809611	MSTBC 2,5/13-STZ-5,08	Plug component, nominal current: 12 A, rated voltage: 320 V, pitch: 5.08 mm, no. of positions: 13, type of connection: Crimp connection
1808939	MSTBC 2,5/14-ST-5,08	Plug component, nominal current: 12 A, rated voltage: 320 V, pitch: 5.08 mm, no. of positions: 14, type of connection: Crimp connection
1809624	MSTBC 2,5/14-STZ-5,08	Plug component, nominal current: 12 A, rated voltage: 320 V, pitch: 5.08 mm, no. of positions: 14, type of connection: Crimp connection

1808942	MSTBC 2,5/15-ST-5,08	Plug component, nominal current: 12 A, rated voltage: 320 V, pitch: 5.08 mm, no. of positions: 15, type of connection: Crimp connection
1809637	MSTBC 2,5/15-STZ-5,08	Plug component, nominal current: 12 A, rated voltage: 320 V, pitch: 5.08 mm, no. of positions: 15, type of connection: Crimp connection
1808955	MSTBC 2,5/16-ST-5,08	Plug component, nominal current: 12 A, rated voltage: 320 V, pitch: 5.08 mm, no. of positions: 16, type of connection: Crimp connection
1809640	MSTBC 2,5/16-STZ-5,08	Plug component, nominal current: 12 A, rated voltage: 320 V, pitch: 5.08 mm, no. of positions: 16, type of connection: Crimp connection
1808968	MSTBC 2,5/17-ST-5,08	Plug component, nominal current: 12 A, rated voltage: 320 V, pitch: 5.08 mm, no. of positions: 17, type of connection: Crimp connection
1809653	MSTBC 2,5/17-STZ-5,08	Plug component, nominal current: 12 A, rated voltage: 320 V, pitch: 5.08 mm, no. of positions: 17, type of connection: Crimp connection
1808971	MSTBC 2,5/18-ST-5,08	Plug component, nominal current: 12 A, rated voltage: 320 V, pitch: 5.08 mm, no. of positions: 18, type of connection: Crimp connection
1809666	MSTBC 2,5/18-STZ-5,08	Plug component, nominal current: 12 A, rated voltage: 320 V, pitch: 5.08 mm, no. of positions: 18, type of connection: Crimp connection
1809899	MSTBC 2,5/18-STZF-5,08	Plug component, nominal current: 12 A, rated voltage: 320 V, pitch: 5.08 mm, no. of positions: 18, type of connection: Crimp connection
1808984	MSTBC 2,5/19-ST-5,08	Plug component, nominal current: 12 A, rated voltage: 320 V, pitch: 5.08 mm, no. of positions: 19, type of connection: Crimp connection
1809679	MSTBC 2,5/19-STZ-5,08	Plug component, nominal current: 12 A, rated voltage: 320 V, pitch: 5.08 mm, no. of positions: 19, type of connection: Crimp connection
1809909	MSTBC 2,5/19-STZF-5,08	Plug component, nominal current: 12 A, rated voltage: 320 V, pitch: 5.08 mm, no. of positions: 19, type of connection: Crimp connection
1808997	MSTBC 2,5/20-ST-5,08	Plug component, nominal current: 12 A, rated voltage: 320 V, pitch: 5.08 mm, no. of positions: 20, type of connection: Crimp connection
1809682	MSTBC 2,5/20-STZ-5,08	Plug component, nominal current: 12 A, rated voltage: 320 V, pitch: 5.08 mm, no. of positions: 20, type of connection: Crimp connection
1809006	MSTBC 2,5/21-ST-5,08	Plug component, nominal current: 12 A, rated voltage: 320 V, pitch: 5.08 mm, no. of positions: 21, type of connection: Crimp connection
1809695	MSTBC 2,5/21-STZ-5,08	Plug component, nominal current: 12 A, rated voltage: 320 V, pitch: 5.08 mm, no. of positions: 21, type of connection: Crimp connection

1809019	MSTBC 2,5/22-ST-5,08	Plug component, nominal current: 12 A, rated voltage: 320 V, pitch: 5.08 mm, no. of positions: 22, type of connection: Crimp connection
1809705	MSTBC 2,5/22-STZ-5,08	Plug component, nominal current: 12 A, rated voltage: 320 V, pitch: 5.08 mm, no. of positions: 22, type of connection: Crimp connection
1809022	MSTBC 2,5/23-ST-5,08	Plug component, nominal current: 12 A, rated voltage: 320 V, pitch: 5.08 mm, no. of positions: 23, type of connection: Crimp connection
1809718	MSTBC 2,5/23-STZ-5,08	Plug component, nominal current: 12 A, rated voltage: 320 V, pitch: 5.08 mm, no. of positions: 23, type of connection: Crimp connection
1809035	MSTBC 2,5/24-ST-5,08	Plug component, nominal current: 12 A, rated voltage: 320 V, pitch: 5.08 mm, no. of positions: 24, type of connection: Crimp connection
1809721	MSTBC 2,5/24-STZ-5,08	Plug component, nominal current: 12 A, rated voltage: 320 V, pitch: 5.08 mm, no. of positions: 24, type of connection: Crimp connection
1769036	MSTBP 2,5/ 4-ST-5,08	Plug component, nominal current: 12 A, rated voltage: 250 V, pitch: 5.08 mm, no. of positions: 4, type of connection: Screw connection
1769052	MSTBP 2,5/ 6-ST-5,08	Plug component, nominal current: 12 A, rated voltage: 250 V, pitch: 5.08 mm, no. of positions: 6, type of connection: Screw connection
1769078	MSTBP 2,5/ 8-ST-5,08	Plug component, nominal current: 12 A, rated voltage: 250 V, pitch: 5.08 mm, no. of positions: 8, type of connection: Screw connection
1769081	MSTBP 2,5/ 9-ST-5,08	Plug component, nominal current: 12 A, rated voltage: 250 V, pitch: 5.08 mm, no. of positions: 9, type of connection: Screw connection
1769120	MSTBP 2,5/13-ST-5,08	Plug component, nominal current: 12 A, rated voltage: 250 V, pitch: 5.08 mm, no. of positions: 13, type of connection: Screw connection
1769159	MSTBP 2,5/16-ST-5,08	Plug component, nominal current: 12 A, rated voltage: 250 V, pitch: 5.08 mm, no. of positions: 16, type of connection: Screw connection
1769162	MSTBP 2,5/17-ST-5,08	Plug component, nominal current: 12 A, rated voltage: 250 V, pitch: 5.08 mm, no. of positions: 17, type of connection: Screw connection
1769191	MSTBP 2,5/20-ST-5,08	Plug component, nominal current: 12 A, rated voltage: 250 V, pitch: 5.08 mm, no. of positions: 20, type of connection: Screw connection
1769696	MSTBP 2,5/24-ST-5,08	Plug component, nominal current: 12 A, rated voltage: 250 V, pitch: 5.08 mm, no. of positions: 24, type of connection: Screw connection
1805301	MSTBT 2,5/ 2-STF-5,08	Plug with T-shape and screw flange, nominal current: 12 A, rated voltage: 250 V, pitch: 5.08 mm, no. of positions: 2, type of connection: Screw connection

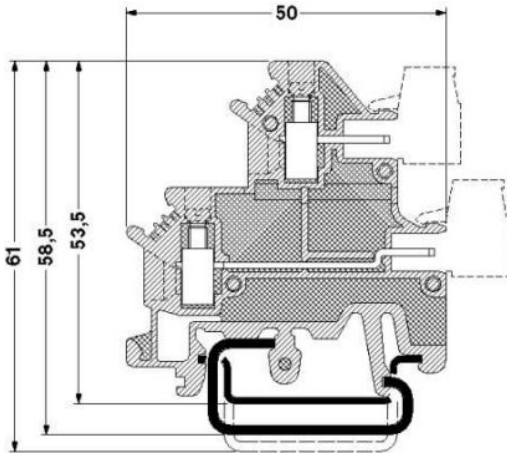
1779990	MSTBT 2,5/ 3-ST-5,08	Plug component, nominal current: 12 A, rated voltage: 250 V, pitch: 5.08 mm, no. of positions: 3, type of connection: Screw connection
1805372	MSTBT 2,5/10-STF-5,08	Plug with T-shape and screw flange, nominal current: 12 A, rated voltage: 250 V, pitch: 5.08 mm, no. of positions: 10, type of connection: Screw connection
1805385	MSTBT 2,5/11-STF-5,08	Plug with T-shape and screw flange, nominal current: 12 A, rated voltage: 250 V, pitch: 5.08 mm, no. of positions: 11, type of connection: Screw connection
1805398	MSTBT 2,5/12-STF-5,08	Plug with T-shape and screw flange, nominal current: 12 A, rated voltage: 250 V, pitch: 5.08 mm, no. of positions: 12, type of connection: Screw connection
1781111	MSTBT 2,5/15-ST-5,08	Plug component, nominal current: 12 A, rated voltage: 250 V, pitch: 5.08 mm, no. of positions: 15, type of connection: Screw connection
1781124	MSTBT 2,5/16-ST-5,08	Plug component, nominal current: 12 A, rated voltage: 250 V, pitch: 5.08 mm, no. of positions: 16, type of connection: Screw connection
1883255	QC 1/ 2-ST-5,08	Plug, nominal current: 10 A, rated voltage: 500 V, pitch: 5.08 mm, number of positions: 2, connection method: Insulation displacement connection QUICKON
1883352	QC 1/ 2-STF-5,08	Plug, nominal current: 10 A, rated voltage: 500 V, pitch: 5.08 mm, number of positions: 2, connection method: Insulation displacement connection QUICKON
1883268	QC 1/ 3-ST-5,08	Plug, nominal current: 10 A, rated voltage: 500 V, pitch: 5.08 mm, number of positions: 3, connection method: Insulation displacement connection QUICKON
1883365	QC 1/ 3-STF-5,08	Plug, nominal current: 10 A, rated voltage: 500 V, pitch: 5.08 mm, number of positions: 3, connection method: Insulation displacement connection QUICKON
1883271	QC 1/ 4-ST-5,08	Plug, nominal current: 10 A, rated voltage: 500 V, pitch: 5.08 mm, number of positions: 4, connection method: Insulation displacement connection QUICKON
1883284	QC 1/ 5-ST-5,08	Plug, nominal current: 10 A, rated voltage: 500 V, pitch: 5.08 mm, number of positions: 5, connection method: Insulation displacement connection QUICKON
1883297	QC 1/ 6-ST-5,08	Plug, nominal current: 10 A, rated voltage: 500 V, pitch: 5.08 mm, number of positions: 6, connection method: Insulation displacement connection QUICKON
1883307	QC 1/ 7-ST-5,08	Plug, nominal current: 10 A, rated voltage: 500 V, pitch: 5.08 mm, number of positions: 7, connection method: Insulation displacement connection QUICKON
1883404	QC 1/ 7-STF-5,08	Plug, nominal current: 10 A, rated voltage: 500 V, pitch: 5.08 mm, number of positions: 7, connection method: Insulation displacement connection QUICKON
1883310	QC 1/ 8-ST-5,08	Plug, nominal current: 10 A, rated voltage: 500 V, pitch: 5.08 mm, number of positions: 8, connection method: Insulation displacement connection QUICKON

1883323	QC 1/ 9-ST-5,08	Plug, nominal current: 10 A, rated voltage: 500 V, pitch: 5.08 mm, number of positions: 9, connection method: Insulation displacement connection QUICKON
1883336	QC 1/10-ST-5,08	Plug, nominal current: 10 A, rated voltage: 500 V, pitch: 5.08 mm, number of positions: 10, connection method: Insulation displacement connection QUICKON
1883349	QC 1/11-ST-5,08	Plug, nominal current: 10 A, rated voltage: 500 V, pitch: 5.08 mm, number of positions: 11, connection method: Insulation displacement connection QUICKON
1883705	QC 1/12-ST-5,08	Plug, nominal current: 10 A, rated voltage: 500 V, pitch: 5.08 mm, number of positions: 12, connection method: Insulation displacement connection QUICKON
1883459	QC 1/12-STF-5,08	Plug, nominal current: 10 A, rated voltage: 500 V, pitch: 5.08 mm, number of positions: 12, connection method: Insulation displacement connection QUICKON
1883815	QC 1/13-ST-5,08	Plug, nominal current: 10 A, rated voltage: 500 V, pitch: 5.08 mm, number of positions: 13, connection method: Insulation displacement connection QUICKON
1883828	QC 1/14-ST-5,08	Plug, nominal current: 10 A, rated voltage: 500 V, pitch: 5.08 mm, number of positions: 14, connection method: Insulation displacement connection QUICKON
1883831	QC 1/15-ST-5,08	Plug, nominal current: 10 A, rated voltage: 500 V, pitch: 5.08 mm, number of positions: 15, connection method: Insulation displacement connection QUICKON
1883886	QC 1/15-STF-5,08	Plug, nominal current: 10 A, rated voltage: 500 V, pitch: 5.08 mm, number of positions: 15, connection method: Insulation displacement connection QUICKON
1883844	QC 1/16-ST-5,08	Plug, nominal current: 10 A, rated voltage: 500 V, pitch: 5.08 mm, number of positions: 16, connection method: Insulation displacement connection QUICKON
1826283	SMSTB 2,5/ 2-ST-5,08	Plug component, nominal current: 12 A, rated voltage: 250 V, pitch: 5.08 mm, no. of positions: 2, type of connection: Screw connection
1826296	SMSTB 2,5/ 3-ST-5,08	Plug component, nominal current: 12 A, rated voltage: 250 V, pitch: 5.08 mm, no. of positions: 3, type of connection: Screw connection
1826306	SMSTB 2,5/ 4-ST-5,08	Plug component, nominal current: 12 A, rated voltage: 250 V, pitch: 5.08 mm, no. of positions: 4, type of connection: Screw connection
1826319	SMSTB 2,5/ 5-ST-5,08	Plug, nominal current: 12 A, rated voltage: 250 V, pitch: 5,08 mm, no. of positions: 5, type of connection: Screw connection
1826322	SMSTB 2,5/ 6-ST-5,08	Plug component, nominal current: 12 A, rated voltage: 250 V, pitch: 5.08 mm, no. of positions: 6, type of connection: Screw connection
1826335	SMSTB 2,5/ 7-ST-5,08	Plug component, nominal current: 12 A, rated voltage: 250 V, pitch: 5.08 mm, no. of positions: 7, type of connection: Screw connection

1826364	SMSTB 2,5/10-ST-5,08	Plug component, nominal current: 12 A, rated voltage: 250 V, pitch: 5.08 mm, no. of positions: 10, type of connection: Screw connection
1826380	SMSTB 2,5/12-ST-5,08	Plug component, nominal current: 12 A, rated voltage: 250 V, pitch: 5.08 mm, no. of positions: 12, type of connection: Screw connection
1826403	SMSTB 2,5/14-ST-5,08	Plug component, nominal current: 12 A, rated voltage: 250 V, pitch: 5.08 mm, no. of positions: 14, type of connection: Screw connection
1826416	SMSTB 2,5/15-ST-5,08	Plug component, nominal current: 12 A, rated voltage: 250 V, pitch: 5.08 mm, no. of positions: 15, type of connection: Screw connection
1826429	SMSTB 2,5/16-ST-5,08	Plug component, nominal current: 12 A, rated voltage: 250 V, pitch: 5.08 mm, no. of positions: 16, type of connection: Screw connection
1850563	SMSTB 2,5/17-ST-5,08	Plug component, nominal current: 12 A, rated voltage: 250 V, pitch: 5.08 mm, no. of positions: 17, type of connection: Screw connection
1850589	SMSTB 2,5/19-ST-5,08	Plug component, nominal current: 12 A, rated voltage: 250 V, pitch: 5.08 mm, no. of positions: 19, type of connection: Screw connection
1850592	SMSTB 2,5/20-ST-5,08	Plug component, nominal current: 12 A, rated voltage: 250 V, pitch: 5.08 mm, no. of positions: 20, type of connection: Screw connection
1850602	SMSTB 2,5/21-ST-5,08	Plug component, nominal current: 12 A, rated voltage: 250 V, pitch: 5.08 mm, no. of positions: 21, type of connection: Screw connection
1850615	SMSTB 2,5/22-ST-5,08	Plug component, nominal current: 12 A, rated voltage: 250 V, pitch: 5.08 mm, no. of positions: 22, type of connection: Screw connection
1850628	SMSTB 2,5/23-ST-5,08	Plug component, nominal current: 12 A, rated voltage: 250 V, pitch: 5.08 mm, no. of positions: 23, type of connection: Screw connection
1850631	SMSTB 2,5/24-ST-5,08	Plug component, nominal current: 12 A, rated voltage: 250 V, pitch: 5.08 mm, no. of positions: 24, type of connection: Screw connection

Drawings

Dimensioned drawing



Address

PHOENIX CONTACT Inc., USA
586 Fulling Mill Road
Middletown, PA 17057, USA
Phone (800) 888-7388
Fax (717) 944-1625
<http://www.phoenixcon.com>



© 2008 Phoenix Contact
Technical modifications reserved;